



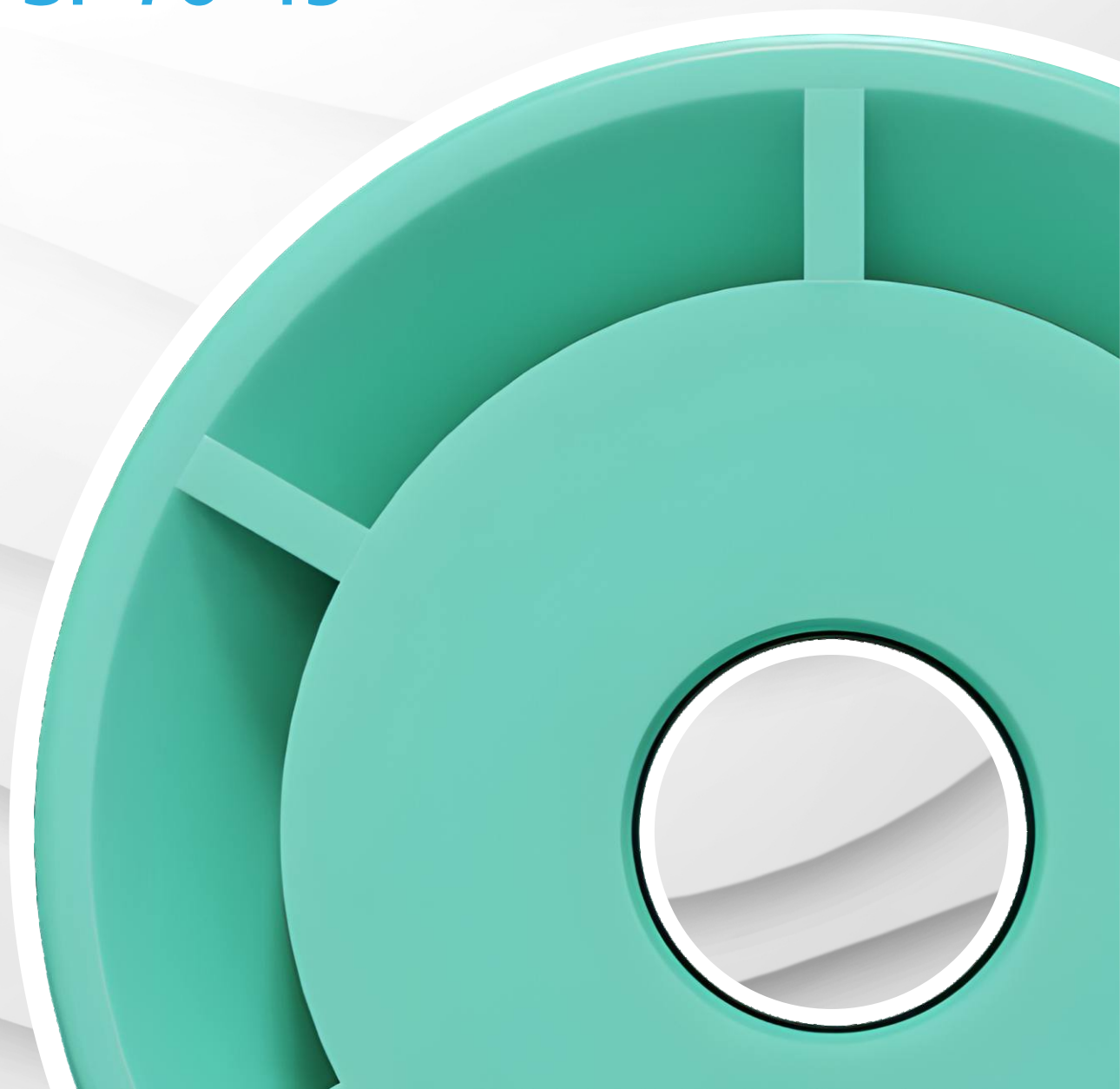
[www.orpack.ru](http://www.orpack.ru)

---

## Specifications

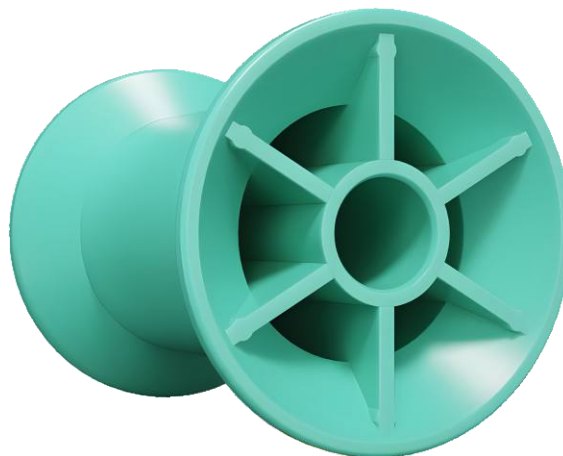
Biconical coil  
for copper wire with enamel insulation

**SF 76-45**



# Specifications:

Biconical coil SF 76-45  
for for copper wire  
with enamel insulation



## Packaging option 1

Material - ABS plastic.

Weight - 72 g.

Packaging - corrugated box 100 pcs. (0.39 x 0.295 x 0.26 m.)

Pallet norm - 40 boxes (4000 pcs.)

Pallet dimensions - 1.20 x 0.80 x 1.45 m.

## Packaging option 2

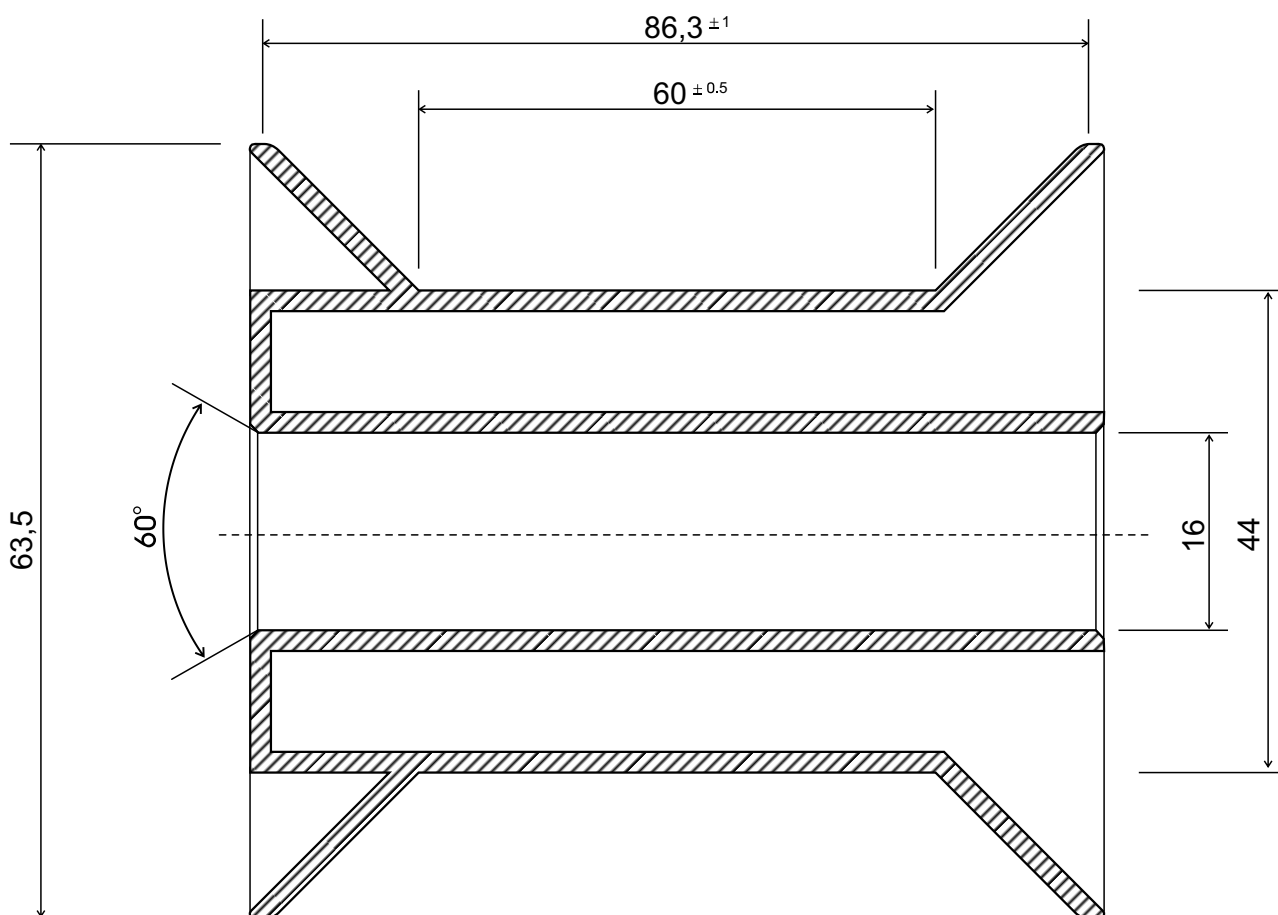
Material - ABS plastic.

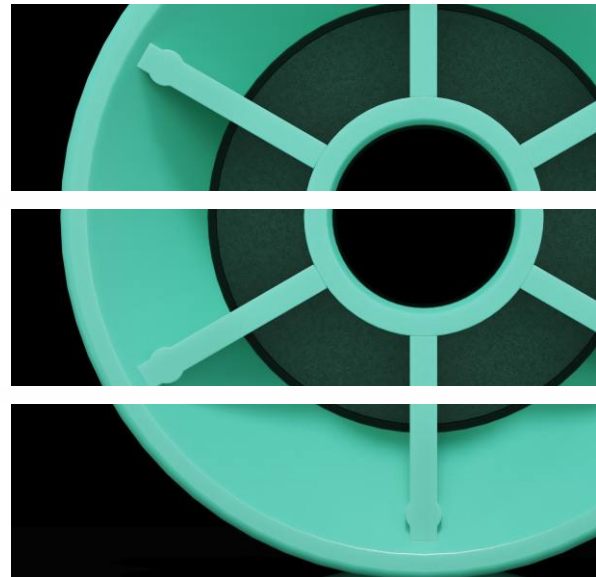
Weight - 72 g.

Packaging - corrugated box 864 pcs. (0.90 x 0.58 x 0.47 m.)

Pallet norm - 4 boxes (3456 pcs.)

Pallet dimensions - 1.20 x 0.90 x 1.10 m.





**ООО «ОРПАСТ»**

302019, РФ, г. Орёл, ул. Веселая, д.1

тел./факс: +7 (4862) 47-42-20

тел./факс: +7 (4862) 43-26-77

тел.: +7 (4862) 43-19-20

info@orpack.ru