

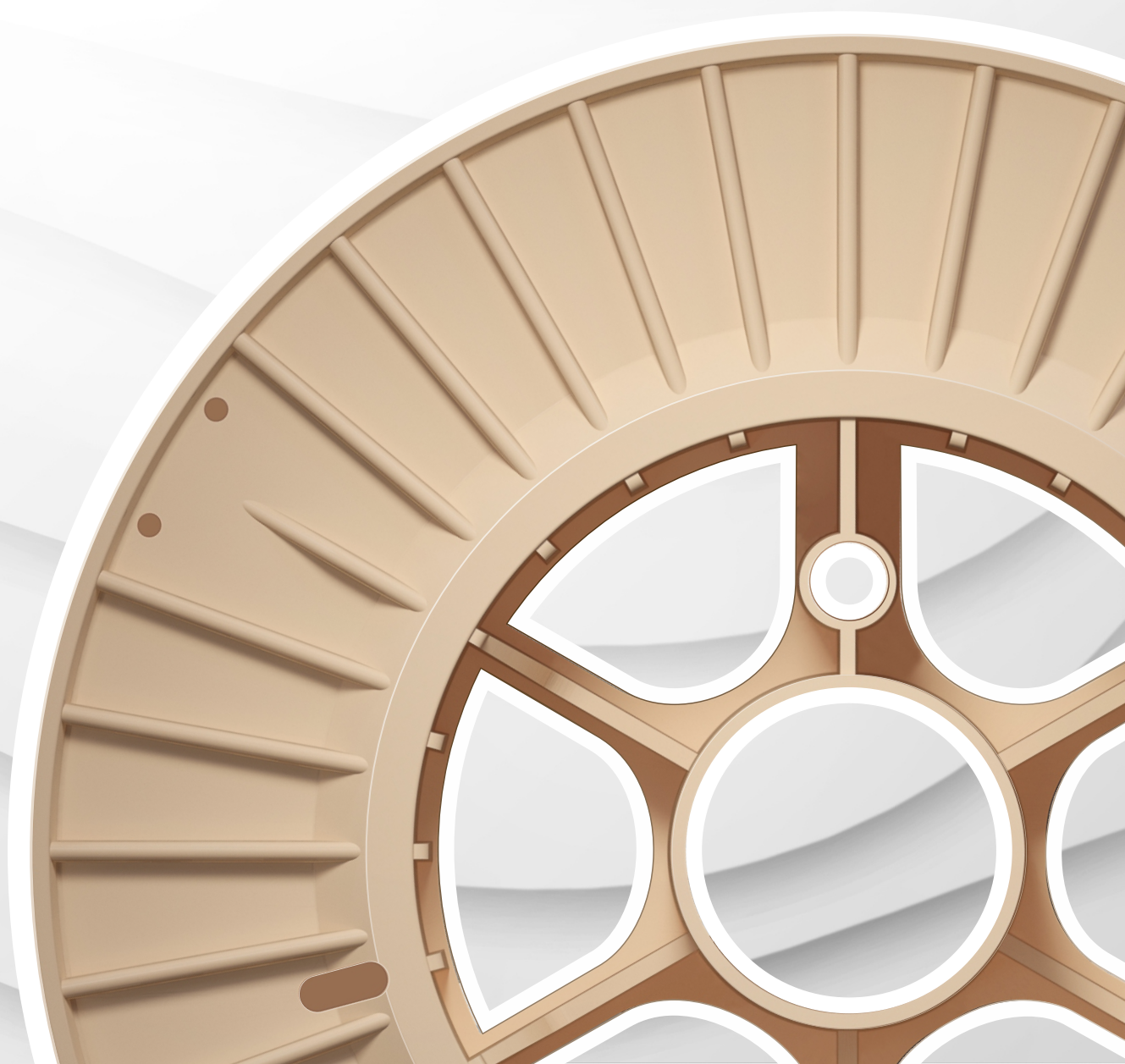


www.orpack.ru

Specifications

Spool for welding wire,
filament 3D

D-270 (88/89/90)



Specifications:

Reel D-270 (88) for in-line winding
welding copper and aluminum
wire, filament 3D.

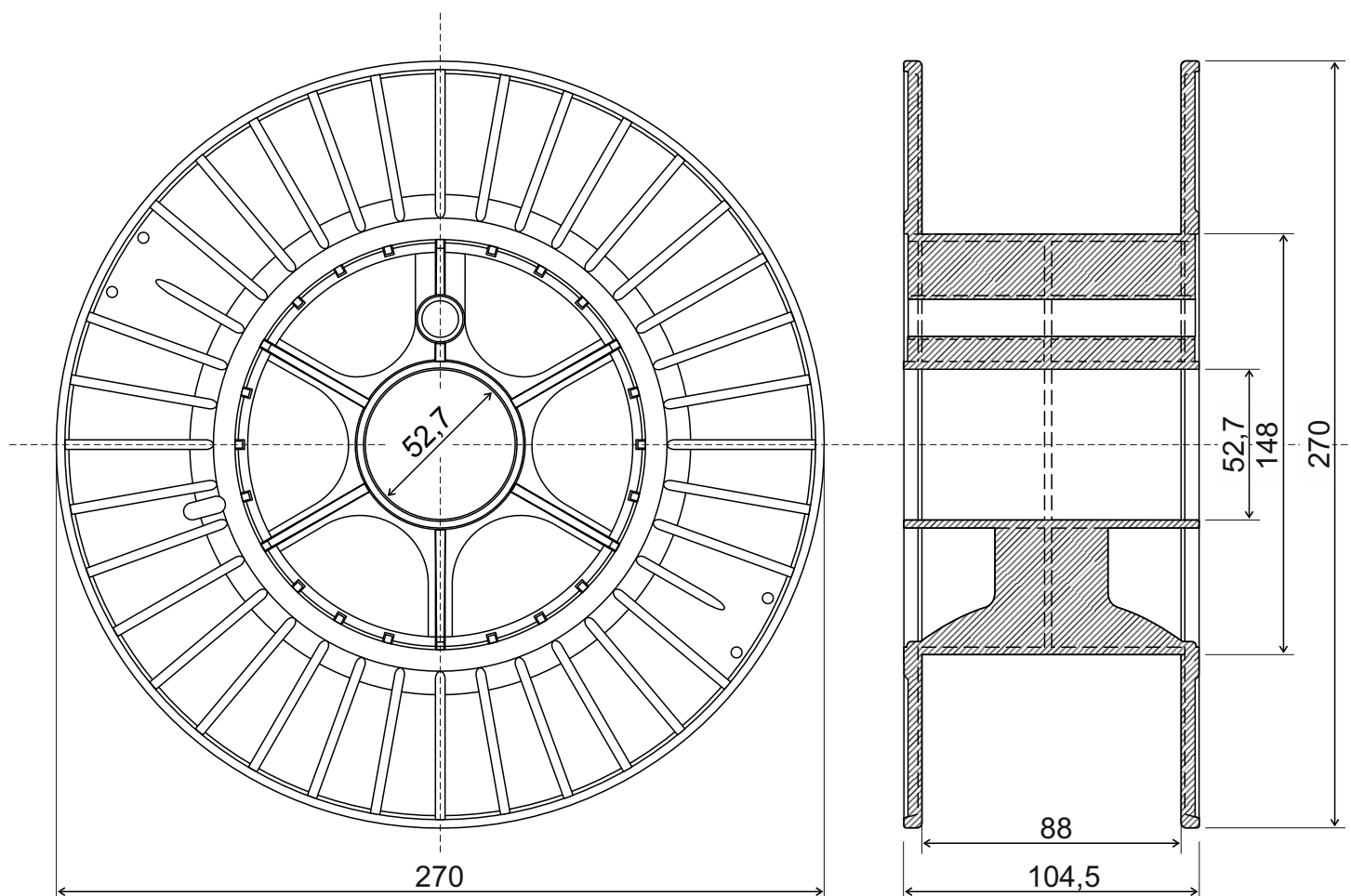
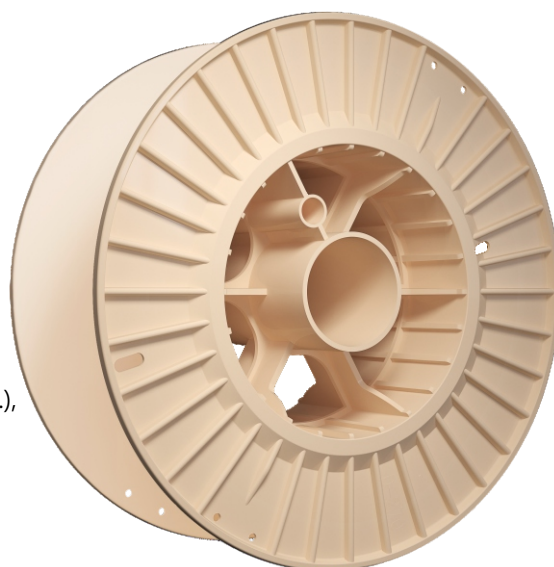
Material - UPS - impact-resistant polystyrene;
ABS - plastic.

Bec - 529 g.

Packaging - corrugated box 40 pcs. (LxWxH 0.90 x 0.58 x 0.47 m.),

Pallet norm - 320 pcs. (LxWxH 1.20 x 0.90 x 2.10 m.),

Pyramid - 600 pcs. (LxWxH 1.36 x 1.10 x 2.50 m.).



Specifications:

Reel D-270 (89) for in-line winding
welding copper and aluminum
wire, filament 3D.

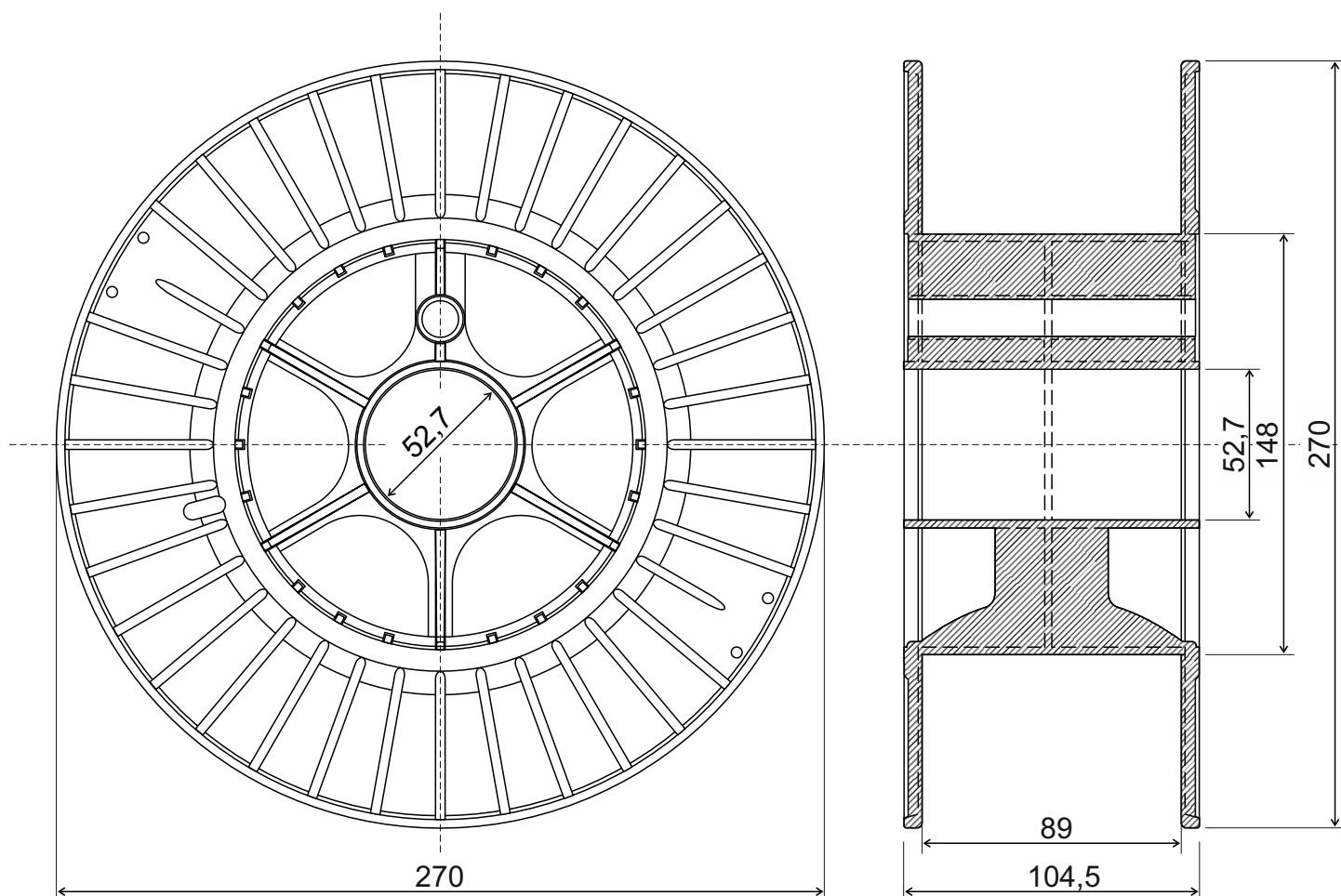
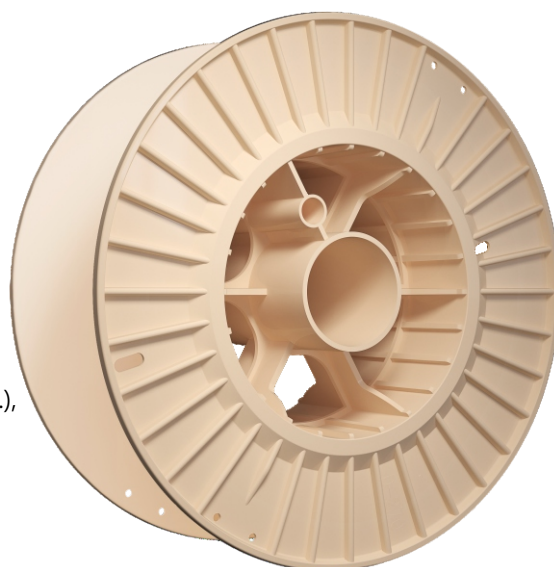
Material - UPS - impact-resistant polystyrene;
ABS - plastic.

Bec - 529 g.

Packaging - corrugated box 40 pcs. (LxWxH 0.90 x 0.58 x 0.47 m.),

Pallet norm - 320 pcs. (LxWxH 1.20 x 0.90 x 2.10 m.),

Pyramid - 600 pcs. (LxWxH 1.36 x 1.10 x 2.50 m.).



Specifications:

Reel D-270 (90) for in-line winding
welding copper and aluminum
wire, filament 3D.

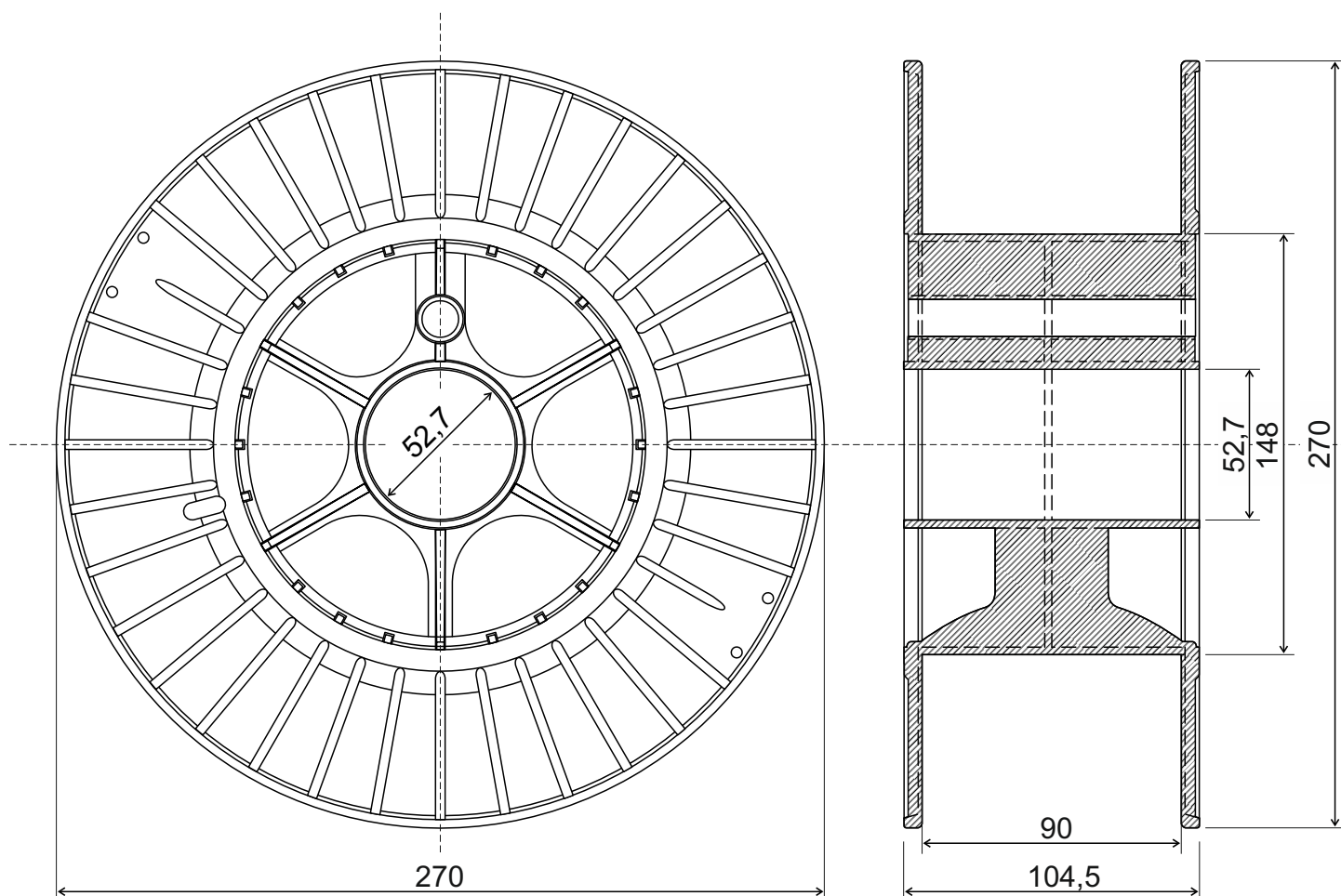
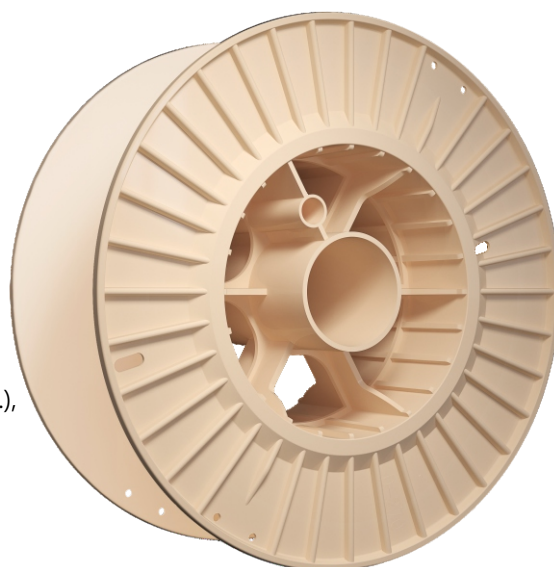
Material - UPS - impact-resistant polystyrene;
ABS - plastic.

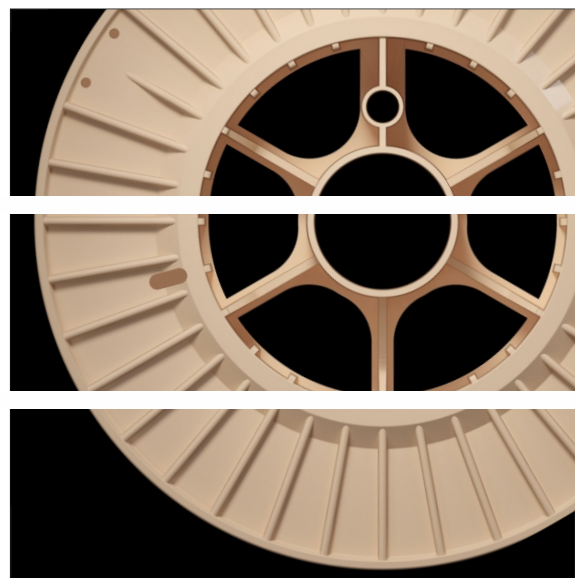
Bec - 529 g.

Packaging - corrugated box 40 pcs. (LxWxH 0.90 x 0.58 x 0.47 m.),

Pallet norm - 320 pcs. (LxWxH 1.20 x 0.90 x 2.10 m.),

Pyramid - 600 pcs. (LxWxH 1.36 x 1.10 x 2.50 m.).





ООО «ОРПАКСТ»

302019, РФ, г. Орёл, ул. Весёлая, д. 1

тел./факс: +7 (4862) 47-42-20

тел./факс: +7 (4862) 43-26-77

тел.: +7 (4862) 43-19-20

info@orpack.ru