



www.orpack.ru

Specifications

Reel for solder wire,
copper wire with enamel insulation,
precious metals wire

K-63 (11/20)



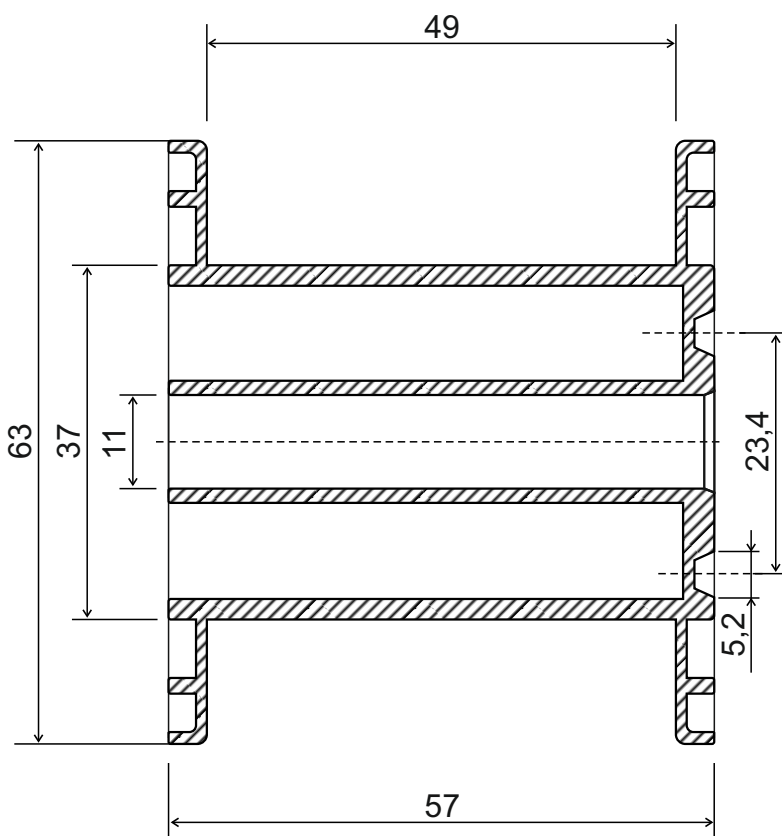
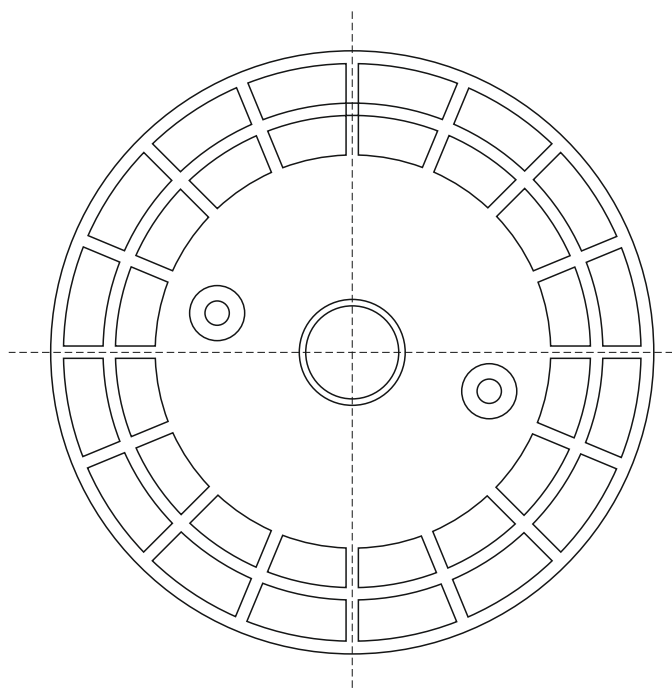
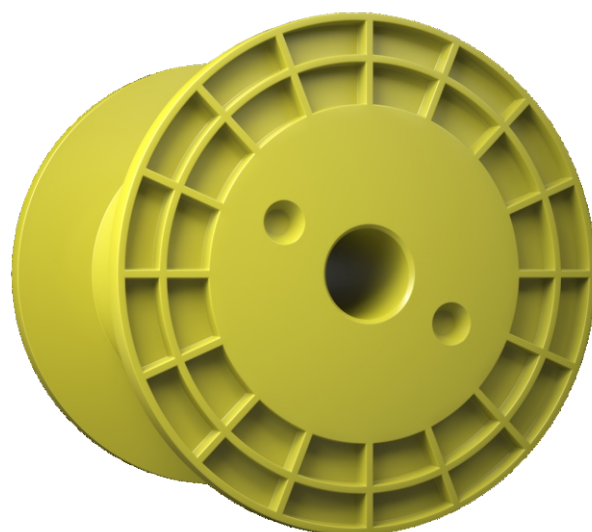
Specifications:

Cylindrical reel E-63 (11)
for solder wire,
copper wire with enamel insulation,
precious metals wire

Material - HIPS; ABS; PP.

Weight - 28 g

Packaging - 150 pcs. in corrugated box (0.390 x 0.295 x 0.260)



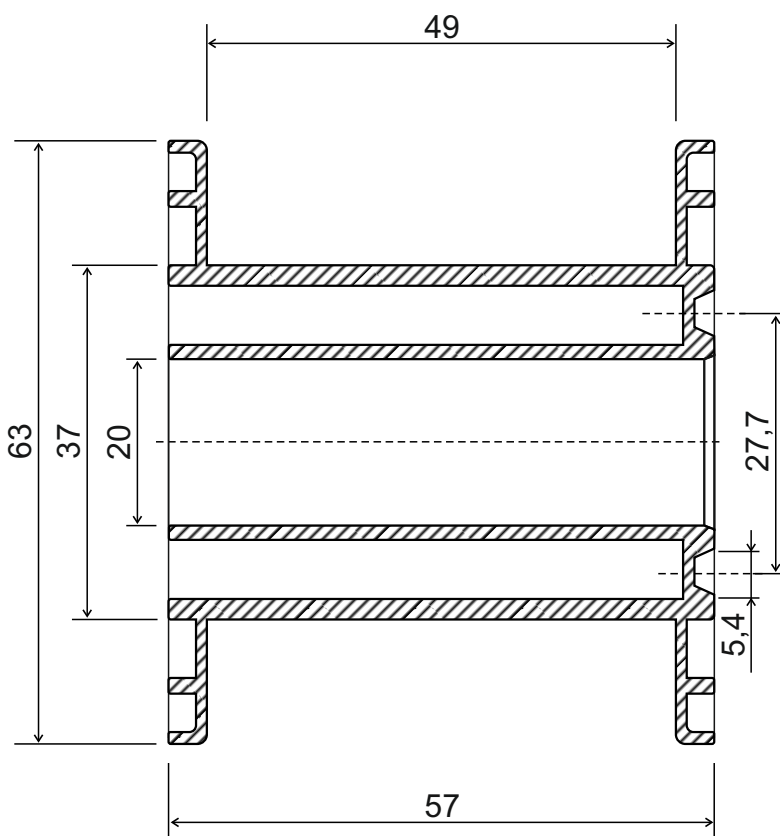
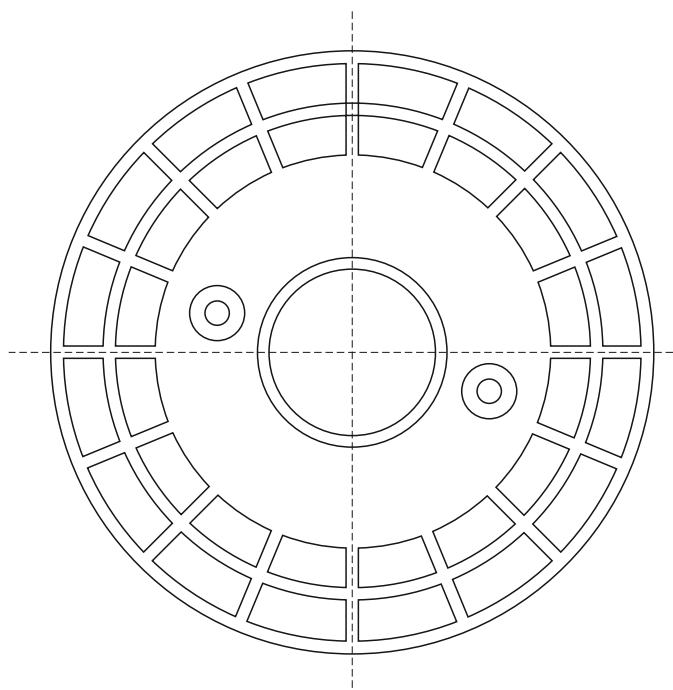
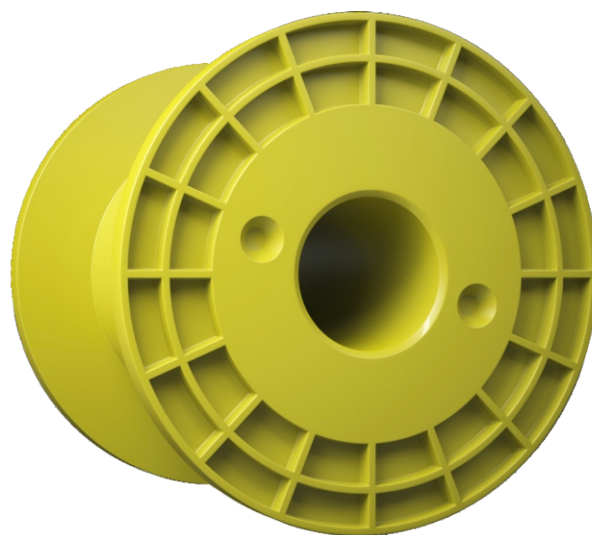
Specifications:

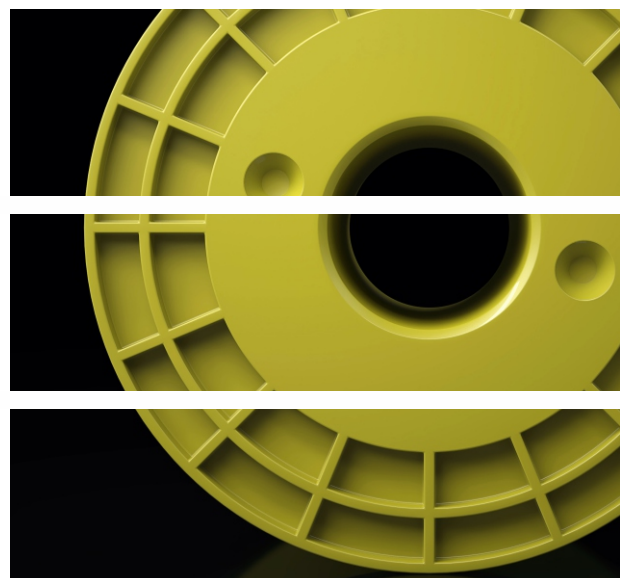
Cylindrical reel E-63 (20)
for solder wire,
copper wire with enamel insulation,
precious metals wire

Material - HIPS; ABS; PP.

Weight - 28 g

Packaging - 150 pcs. in corrugated box (0.390 x 0.295 x 0.260)





ООО «ОРПАК»

302019, РФ, г. Орёл, ул. Весёлая, д. 1

тел./факс: +7 (4862) 47-42-20

тел./факс: +7 (4862) 43-26-77

тел.: +7 (4862) 43-19-20

info@orpack.ru