



www.orpack.ru

Specifications

Reel

for welding wire, filament 3D

D-300 (88/89/90)



Specifications:

Reel D-300 R (88),
with improved geometry, for the row spooling
of copper-plated and aluminum welding wire

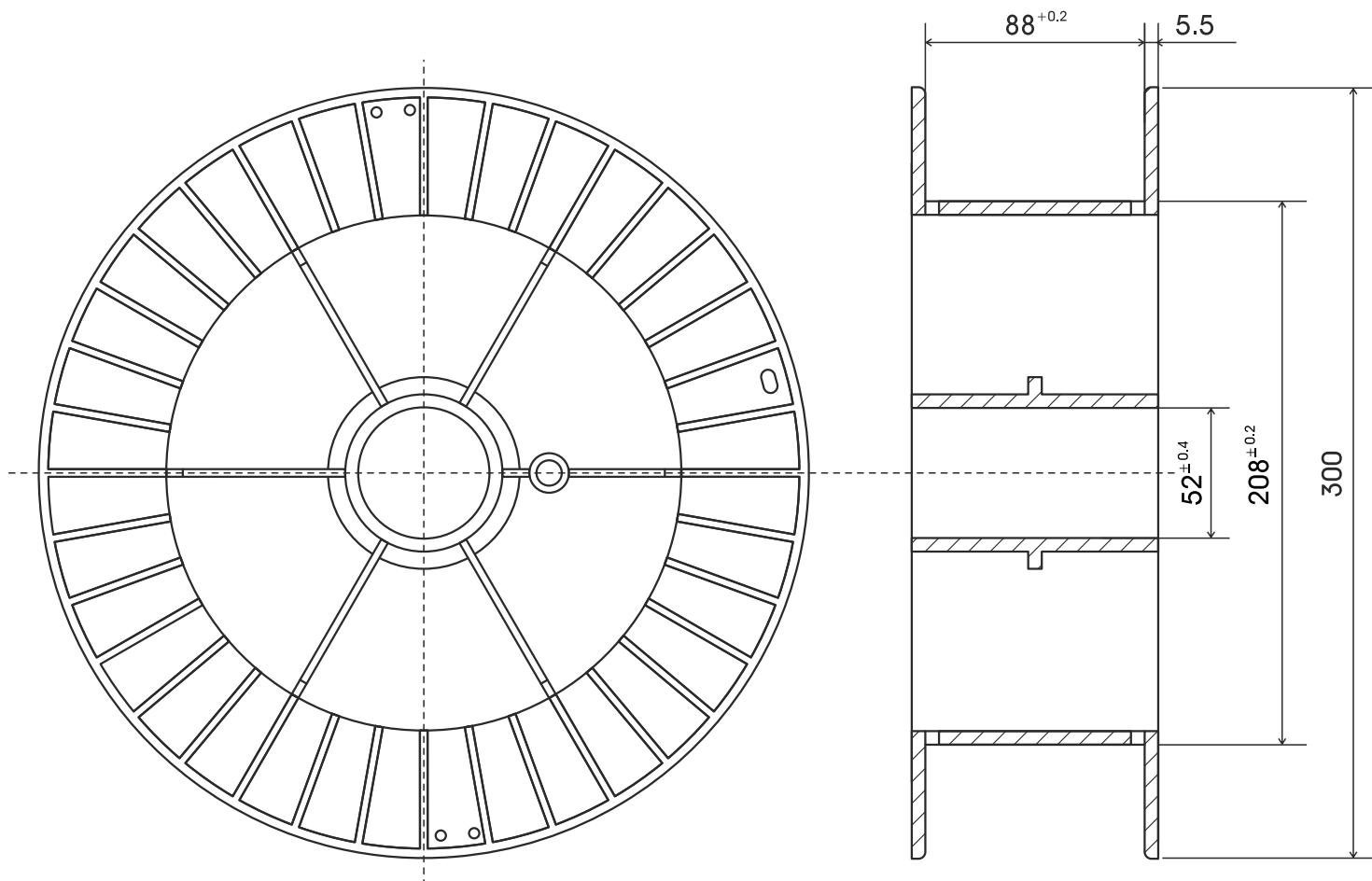
Material - HIPS; ABS.

Weight - 825 g

Packaging - 25 pcs. in corrugated box (0.90 x 0.58 x 0.47)

Quantity on pallet - 200pcs.

Charge dimensions - 1.20 x 0.90 x 2.10 m.



Specifications:

Reel D-300 R (89),
with improved geometry, for the row spooling
of copper-plated and aluminum welding wire

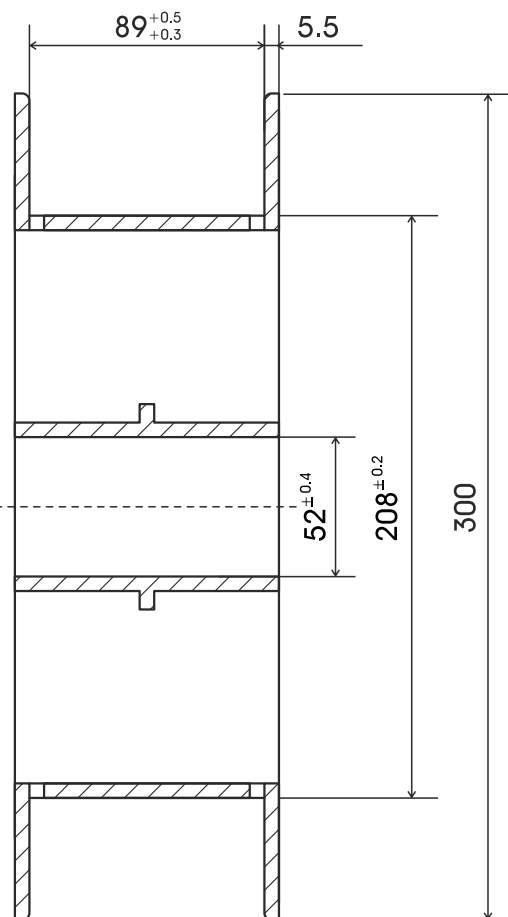
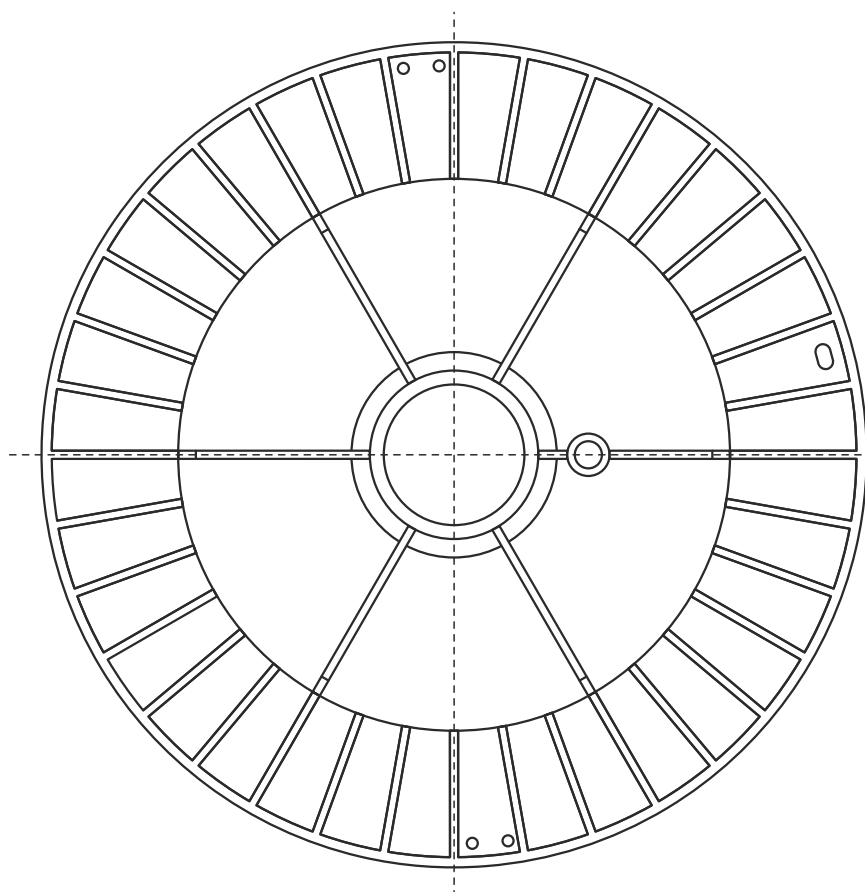
Material - HIPS; ABS.

Weight - 684 g

Packaging - 25 pcs. in corrugated box (0.90 x 0.58 x 0.47)

Quantity on pallet - 200pcs.

Charge dimensions - 1.20 x 0.90 x 2.10 m.



Specifications:

**Reel D-300 R (90),
with improved geometry, for the row spooling
of copper-plated and aluminum welding wire**

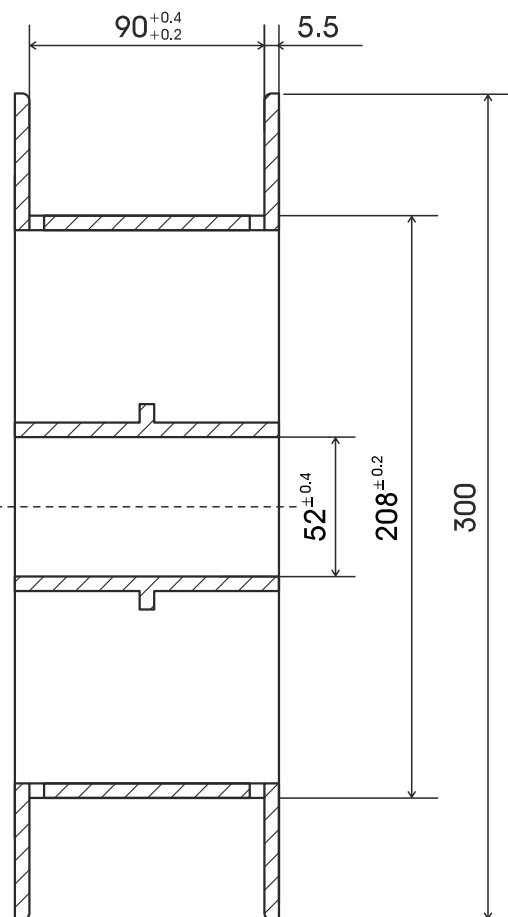
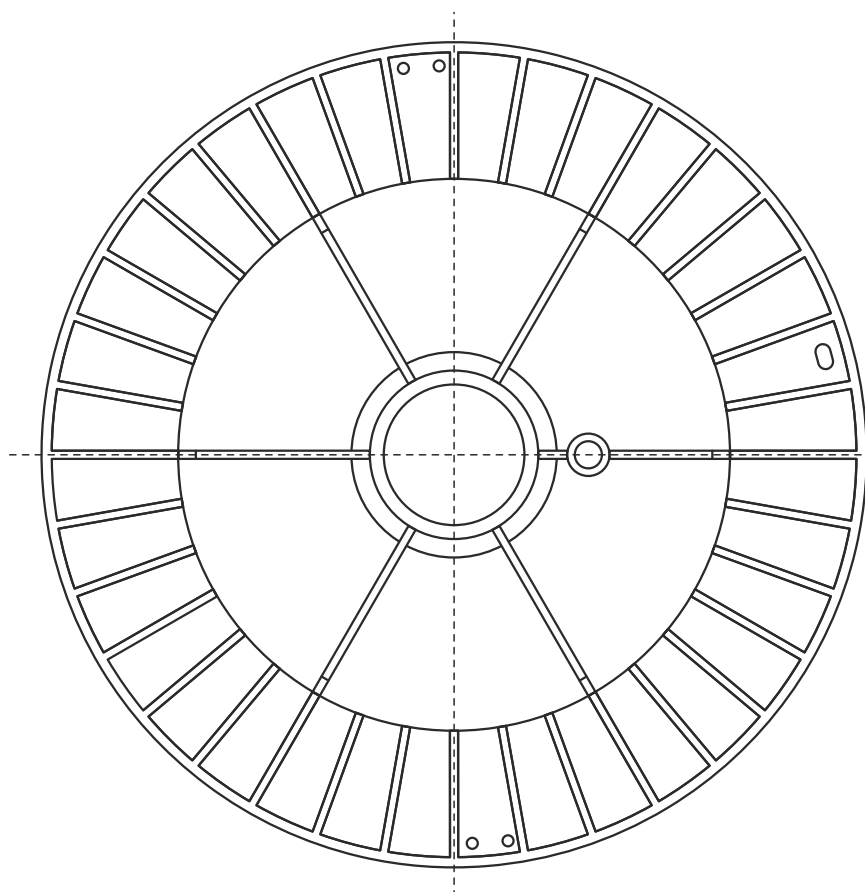
Material - HIPS; ABS.

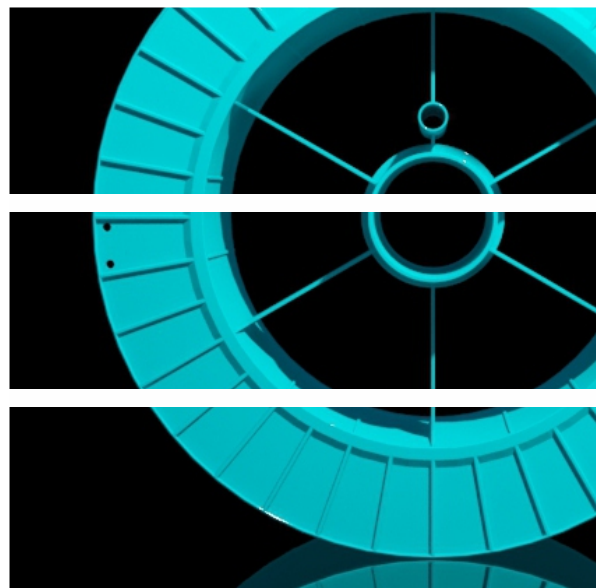
Weight - 736 g

Packaging - 25 pcs. in corrugated box (0.90 x 0.58 x 0.47)

Quantity on pallet - 200pcs.

Charge dimensions - 1.20 x 0.90 x 2.10 m.





ООО «ОРПАСТ»

302019, РФ, г. Орёл, ул. Веселая, д.1

тел./факс: +7 (4862) 47-42-20

тел./факс: +7 (4862) 43-26-77

тел.: +7 (4862) 43-19-20

info@orpack.ru