



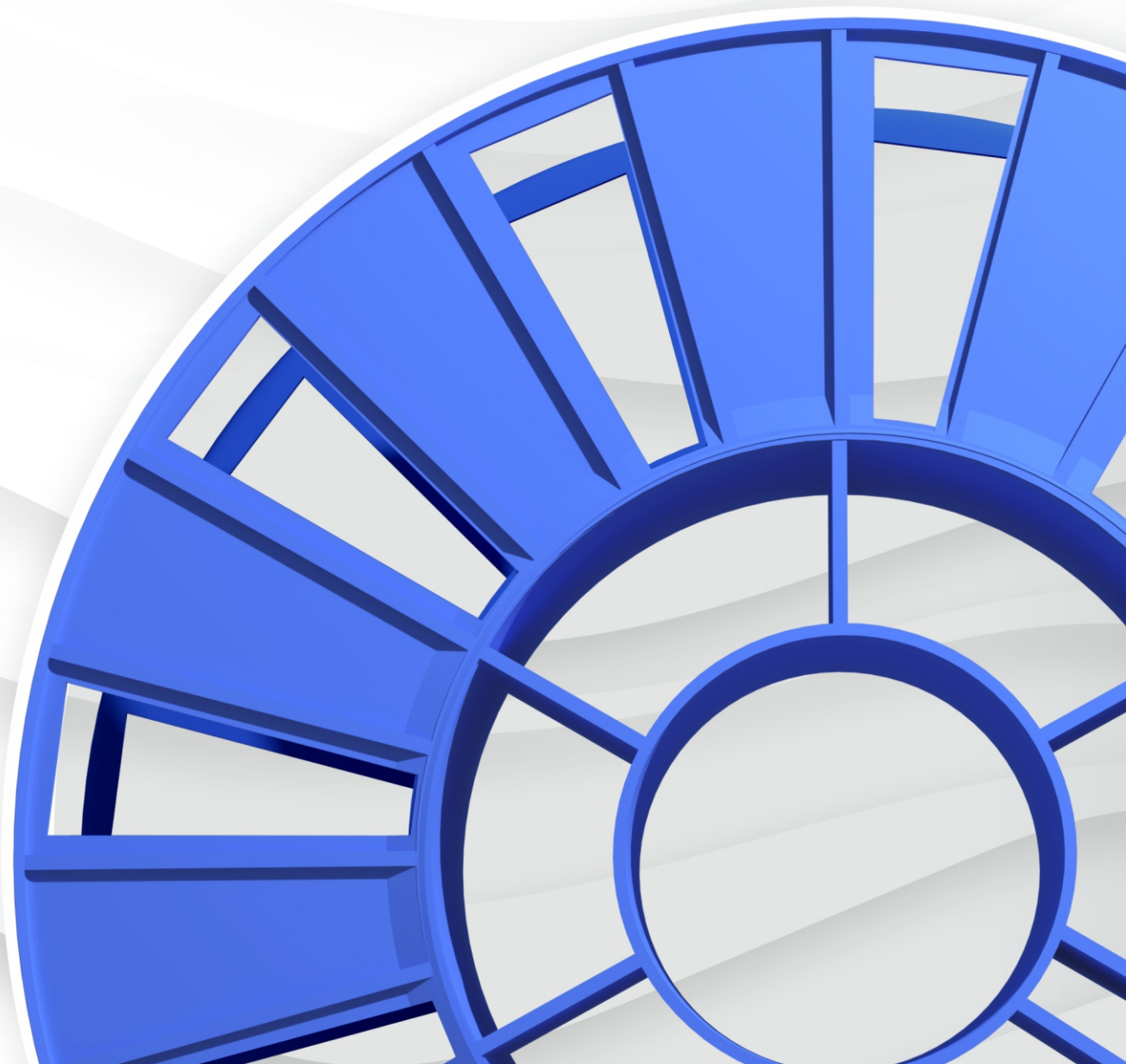
www.orpack.ru

Specifications

Reel

for welding wire, filament 3D D-200

D-200



Specifications:

Reel D-200, with improved geometry,
for the row spooling of copper-plated
and aluminum welding wire

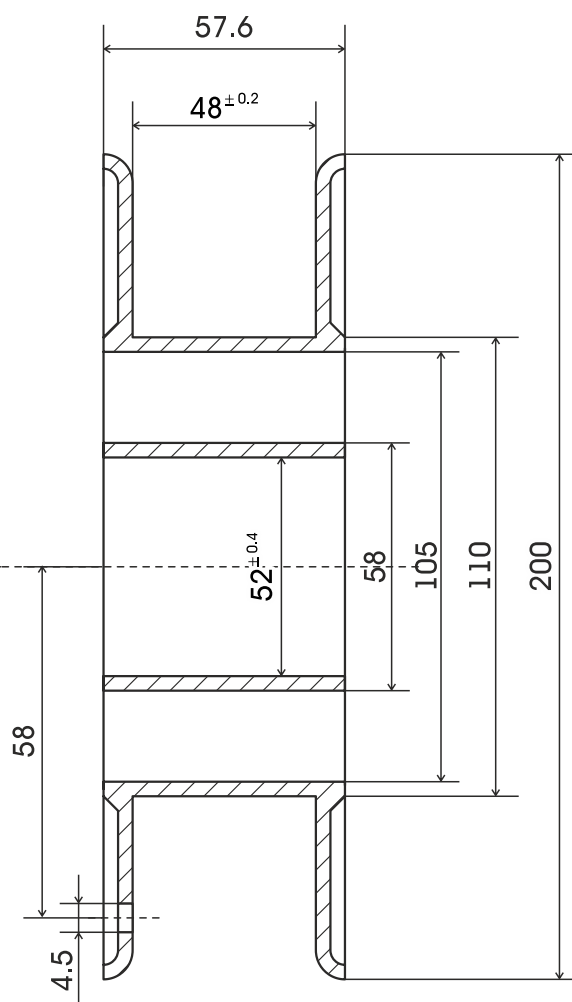
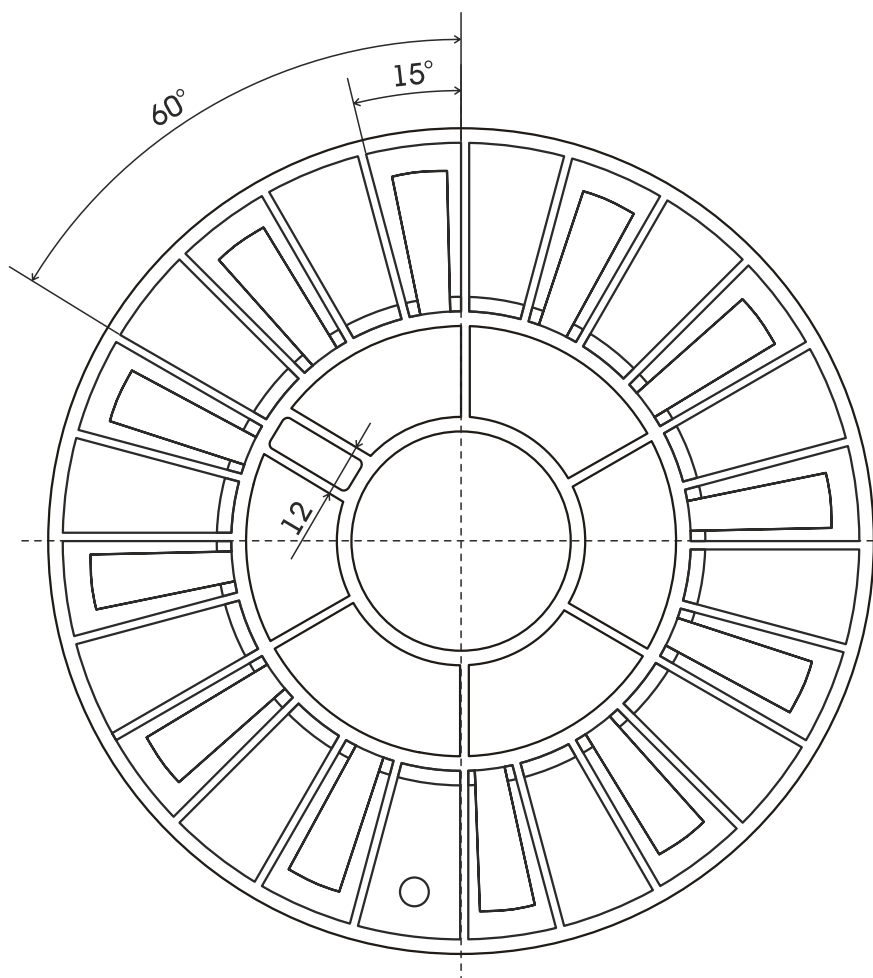
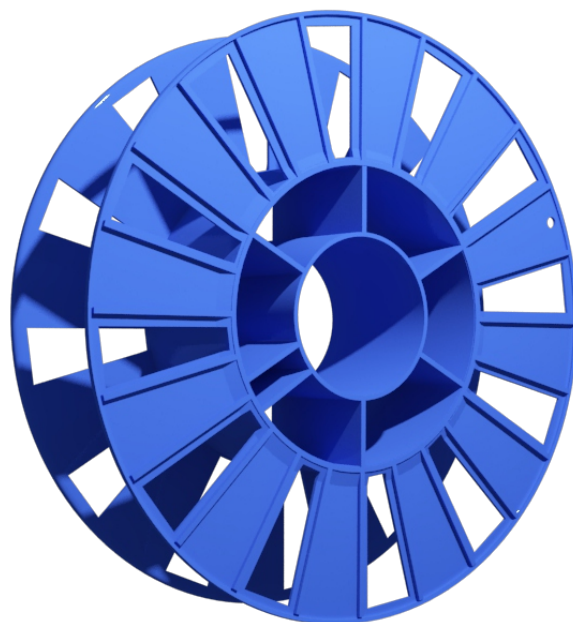
Material - HIPS; ABS.

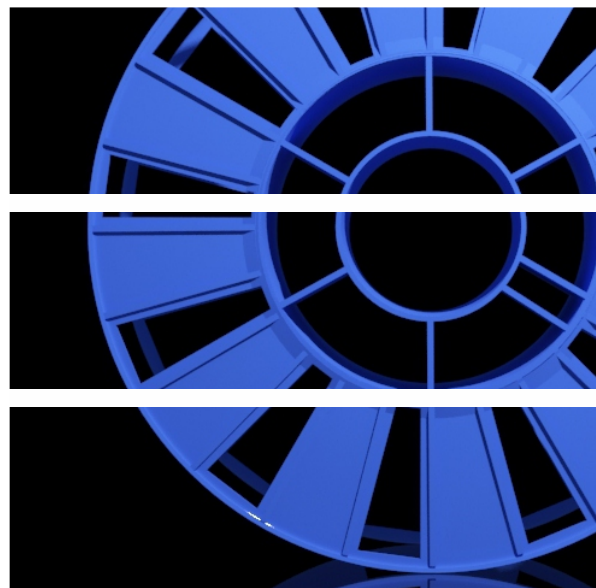
Weight - 175/185 g

Packaging - 130 pcs. in corrugated box (0.90 x 0.58 x 0.47)

Quantity on pallet - 8 boxes (1040 pcs.),

Charge dimensions - 1.20 x 0.90 x 2.10 m.





ООО «ОРПАСТ»

302019, РФ, г. Орёл, ул. Веселая, д.1

тел./факс: +7 (4862) 47-42-20

тел./факс: +7 (4862) 43-26-77

тел.: +7 (4862) 43-19-20

info@orpack.ru