



www.orpack.ru

Specifications

Reel for solder wire, copper wire with enamel insulation, precious metals wire

K-80



Specifications:

Cylindrical reel K-80
for solder wire, copper wire with enamel
insulation, precious metals wire

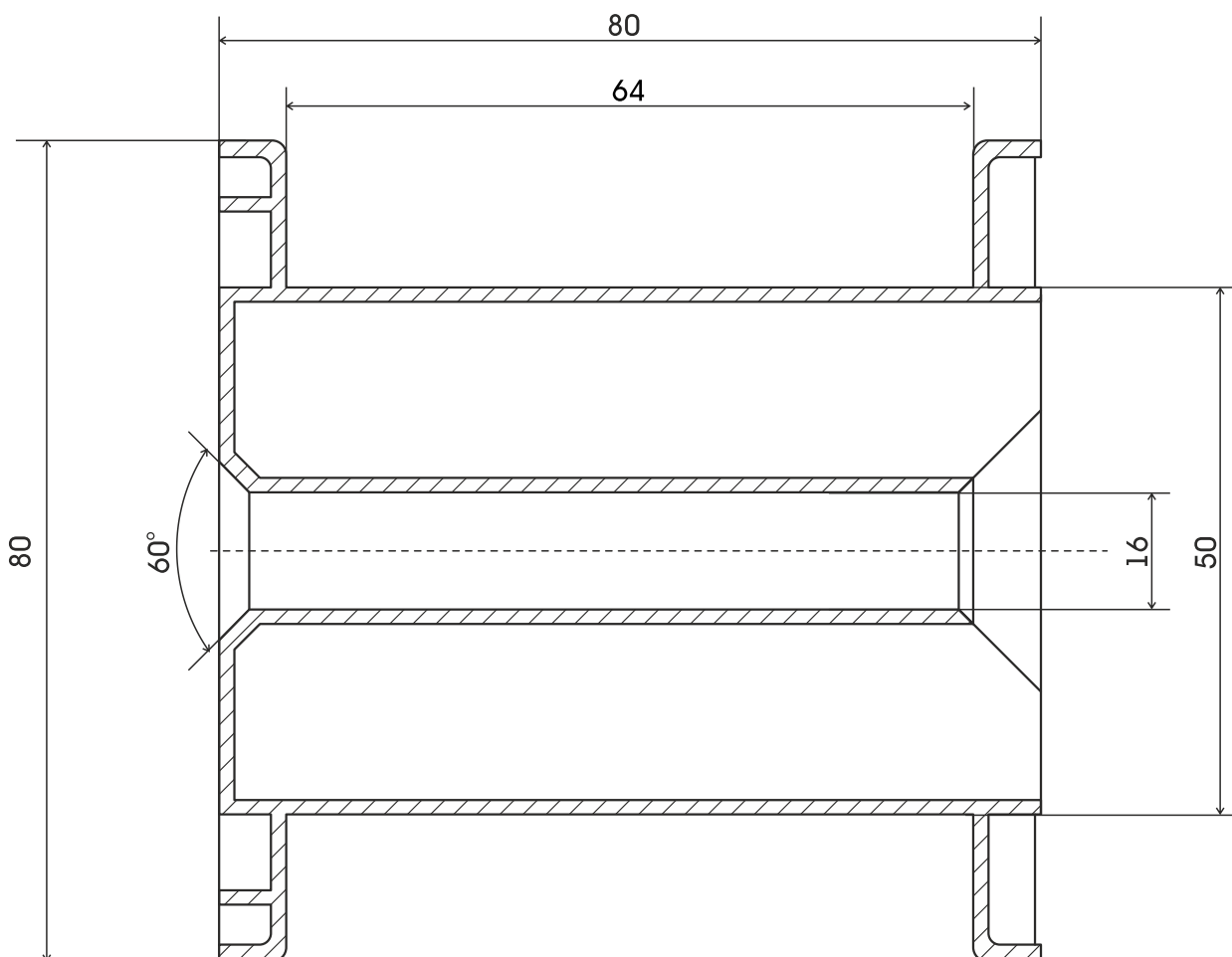
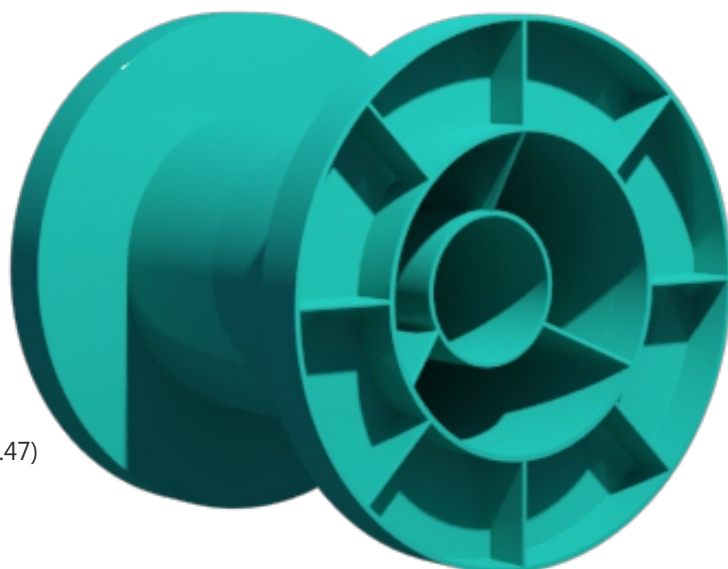
Material - HIPS; ABS; PP.

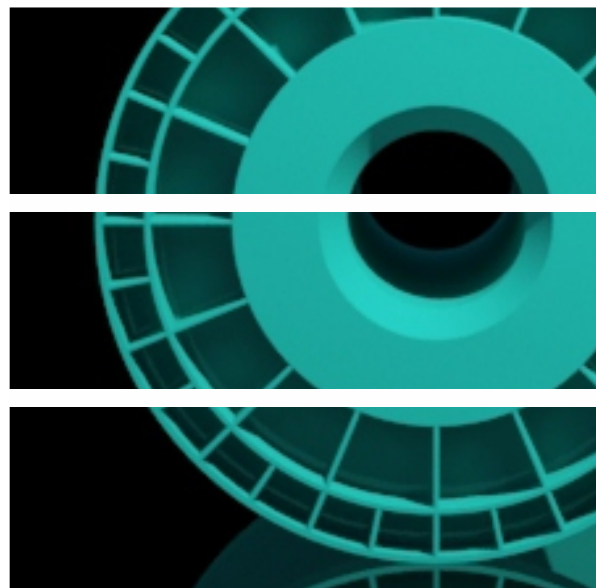
Weight - 50 g

Packaging - 616 pcs. in corrugated box (0.90 x 0.58 x 0.47)

Quantity on pallet - 4 boxes (2464 pcs.)

Charge dimensions - 1.20 x 0.90 x 1.00 m.





ООО «ОРПАСТ»

302019, РФ, г. Орёл, ул. Веселая, д.1

тел./факс: +7 (4862) 47-42-20

тел./факс: +7 (4862) 43-26-77

тел.: +7 (4862) 43-19-20

info@orpack.ru